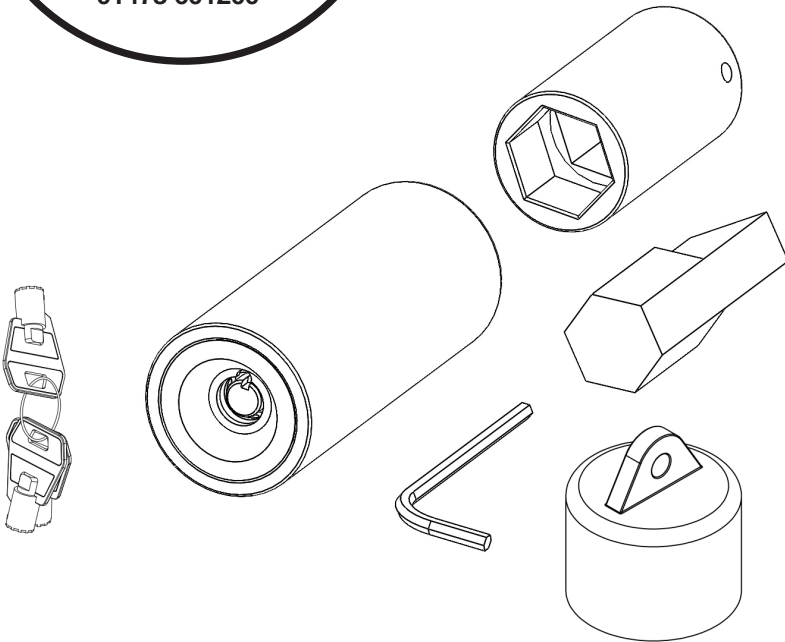


REGISTER NOW TO
ACTIVATE YOUR

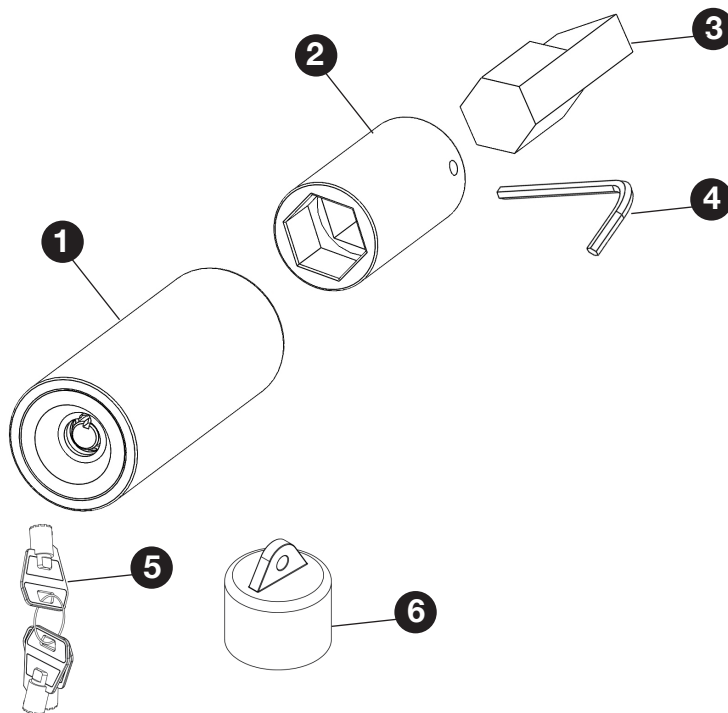
5 YEAR
WARRANTY*

www.purpleline.co.uk
01473 601200

Corner Steady Leg Lock
PRODUCT CODE: **FLL100**



PARTS IDENTIFICATION



1. Outer Main Body
2. Inner Section
3. Hexagonal Key

4. Allen Key
5. Key (x3)
6. Lock Cap

Please store your keys in a safe place and remember to register within 14 days of purchase, either by returning your fully completed registration card, or online at www.purpleline.co.uk/product-registration



INSTALLATION

The FullStop® Torpedo Corner Steady Leg Lock Hitch Lock can be fitted when your vehicle is hitched or unhitched.

FITTING INSTRUCTIONS

Insert and turn key to unlock and separate the Inner Section (2) from the Outer Main Body (1).

Loosen the grub screws using the Allen Key (4) and remove the Hexagonal Key (3) mounted on the inside of the Inner Section (2).

Fit the Inner Section (2) - grub screw end forward - over a corner steady bolt head and secure engaged by re-tightening the grub screws.

Use the Hexagonal Key (3) to raise and lower the corner steady as necessary.

When correct position is attained remove the Hexagonal Key (3).

Fit the Outer Main Body (1) onto the Inner Section (2) and lock into position by turning the Key (5). The outer main body now freely rotates.

To unlock, grip the Outer Main Body (1) before turning the Key (5)..

MAINTENANCE

Grease the lock face and ball bearings before first use, with a light oil such as 3-IN-ONE or equivalent.

Thereafter spray any moving parts of the lock body with a light oil such as 3-IN-ONE or equivalent every eight weeks.

NOTE

It is highly recommended that a secondary security device (such as a wheel clamp) should be used to inhibit theft by some unconventional form of towing. Visit www.purpleline.co.uk for details of other products in the Fullstop® Security range.

fullstop[®]

S E C U R I T Y

PRODUCT SPECIFICATION

FLL100				
Weight (kg)	Total Height (mm)	Circumference (mm)	Diameter (mm)	Keys Supplied
0.74kg	124mm	1193.8mm	380mm	3

Please store your keys in a safe place and remember to register your product. **Registration is quick and simple, go to www.purpleline.co.uk/product-registration. Please register within 14 days of purchase. Please retain your original purchase receipt.**

Disclaimer

If used properly, your FullStop[®] product will be an effective deterrent. However, nothing can stop the efforts of the most determined thief, and to this end no liability is accepted for any loss and/or damage caused by any illegal activity including theft or vandalism. Liability also not accepted for any loss and/or damage arising from misuse, unauthorised repair or alteration and failure to follow the user guide directions. No form of consequential loss what so ever will be accepted.



© Copyright 2017. Purple Line Limited, Peninsula Business Centre, Wherstead, Suffolk, IP9 2BB, UK

www.purpleline.co.uk
01473 601200

Photographs for illustration purposes only. Actual product may differ slightly.
Purple Line Limited reserve the right to alter product specification without prior notice.